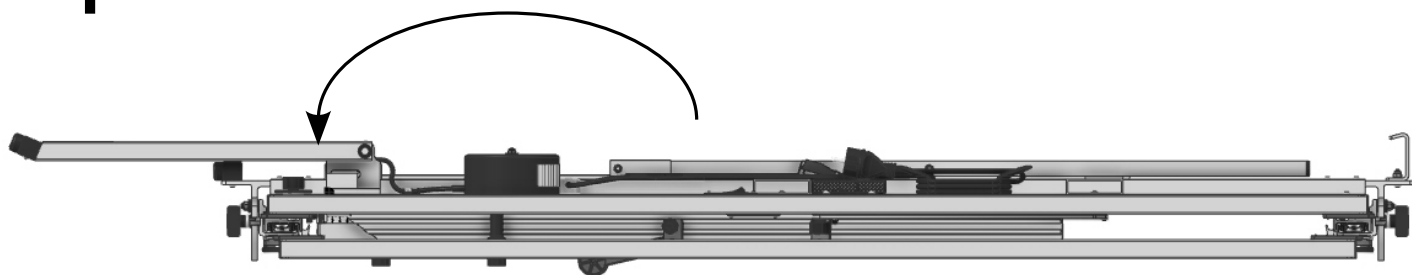


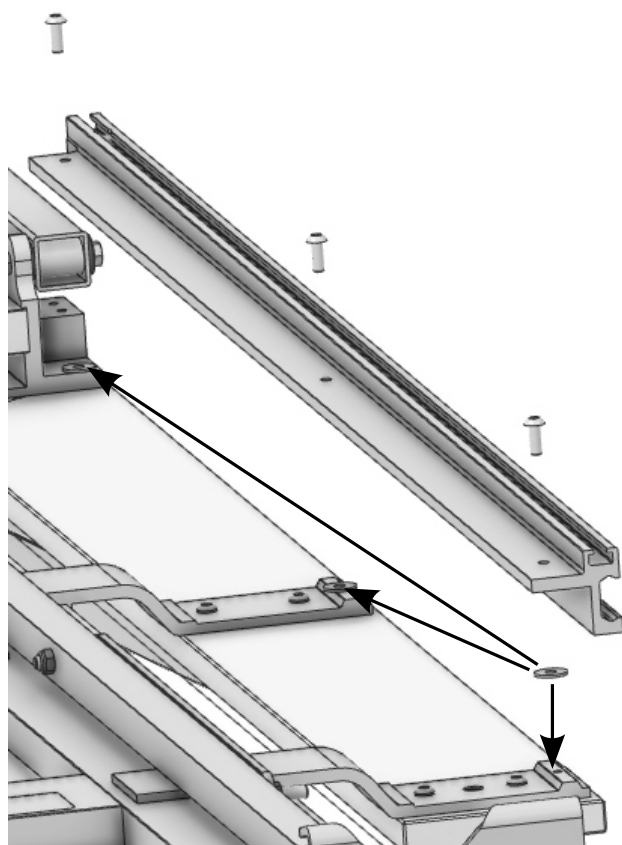
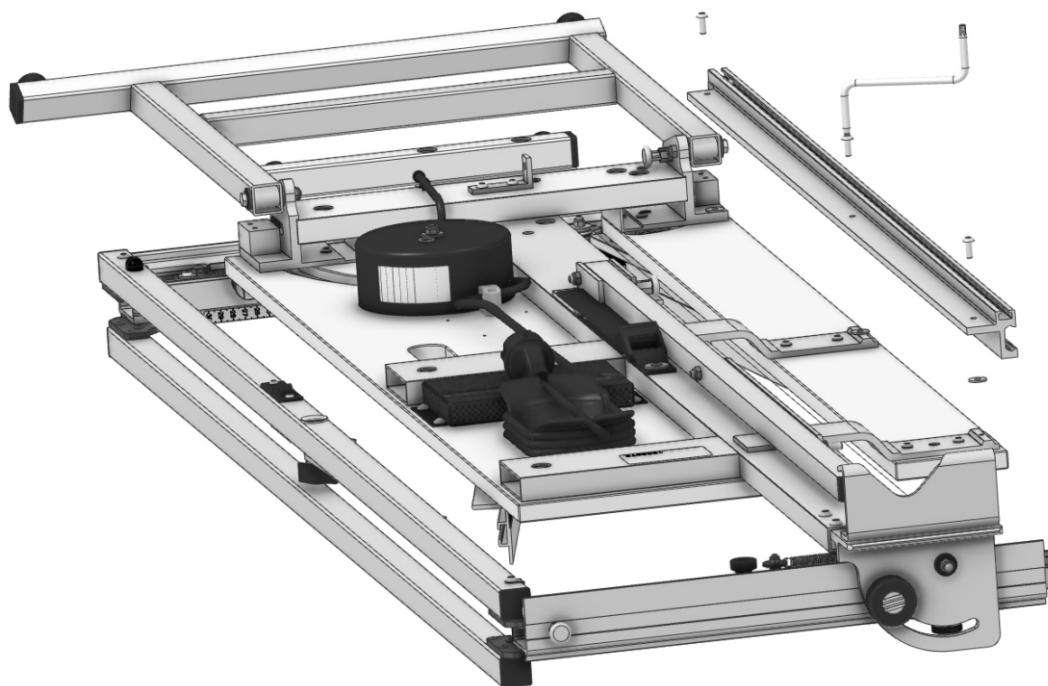
**Montage Eckschneiderschiene 5305SK/SL**  
**Montage du rail de coupe d'angle 5305SK/SL**  
**Montaggio guida di taglio angolare 5305SK/SL**  
**Assembly corner cutting rail 5305SK/SL**



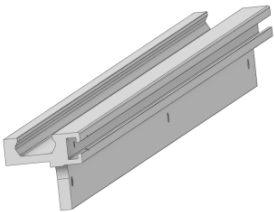
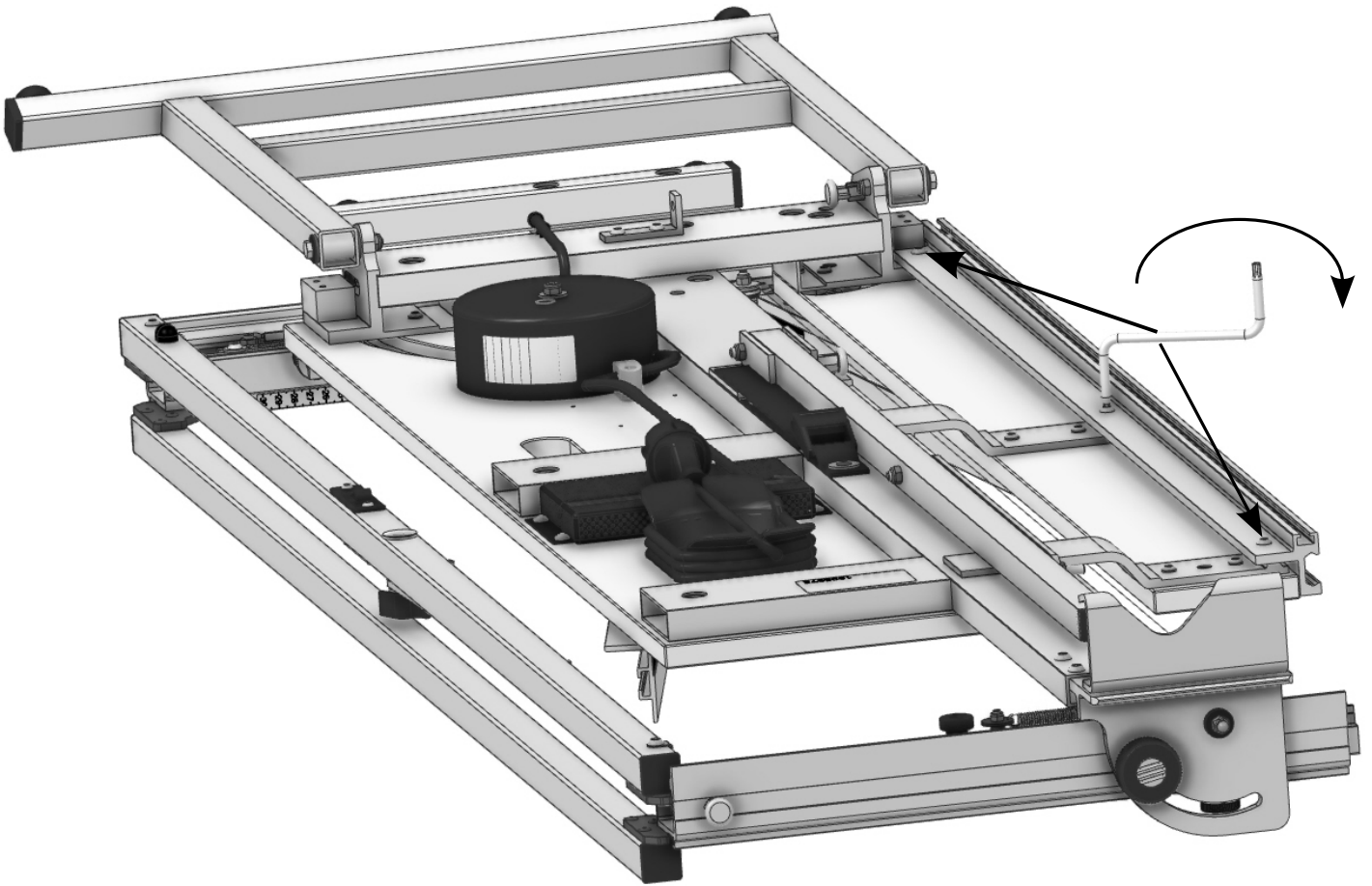
1



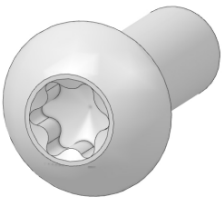
2



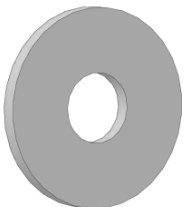
3



1905838 Eckschneiderschiene I bearbeitet



1902528 Linsenschraube M5x14 Tx 25, ISO 7380



1902626 Scheibe 5.3/15x1.2, DIN 9021



11900469 Stiftschlüssel TX30/TX25, Z-Form

